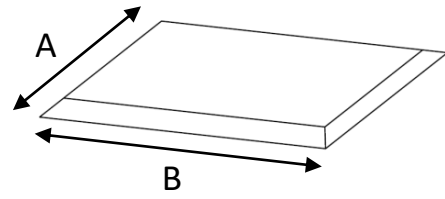


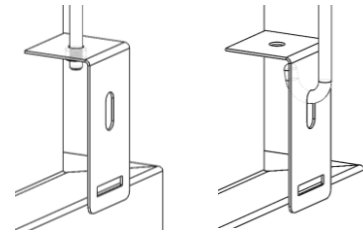
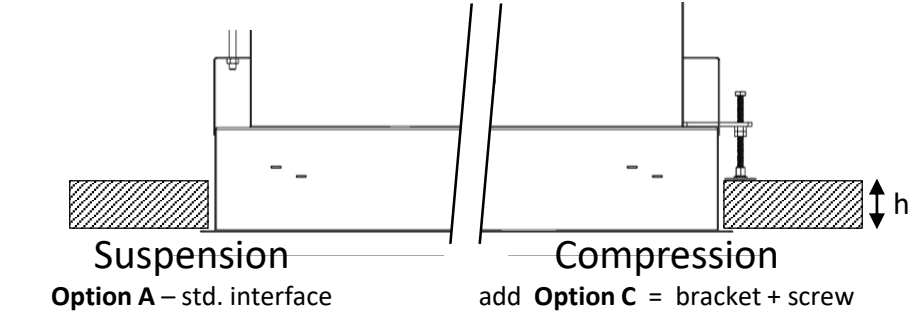
CamSeal 2 – Installation Quick Instructions

Housing Installation

Recommended cutout dimensions

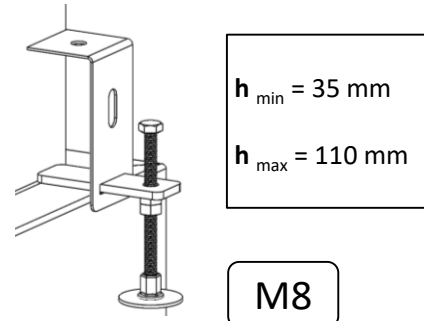


	Filter Size	A	B
Square	3P3	362	362
	4P4	514	514
	5P5	565	565
	6P6	667	667
Rect.	3P6	362	664
	9P6	667	969
	11P5	565	1162
	12P6	667	1274



Ø 9 max

Threaded support hangers
not included

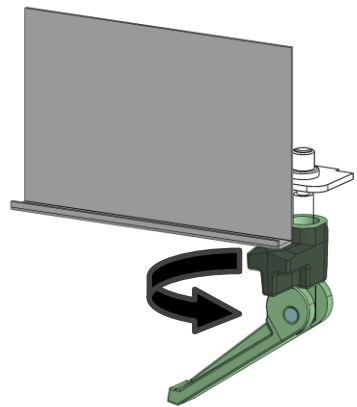


$h_{min} = 35 \text{ mm}$
 $h_{max} = 110 \text{ mm}$

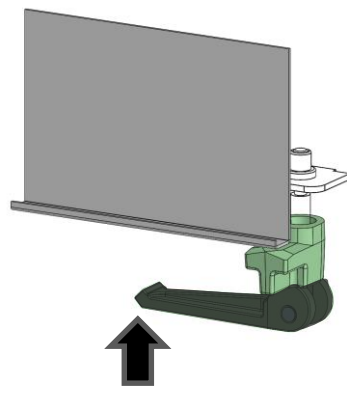
M8

Option C - Pressure Screw Kit for 1 housing (4x)
to be ordered separately: Ref. F8 000 000 5

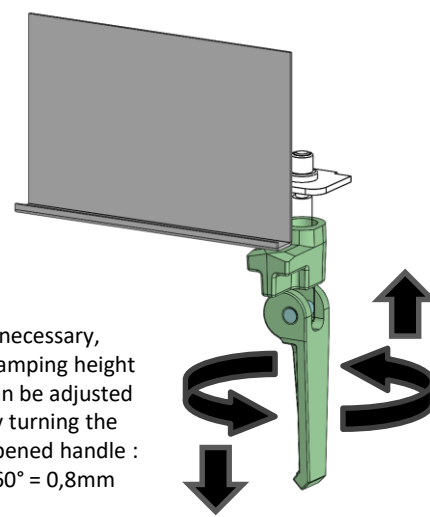
Filter Installation



1 After inserting the filter, swing the clamp out



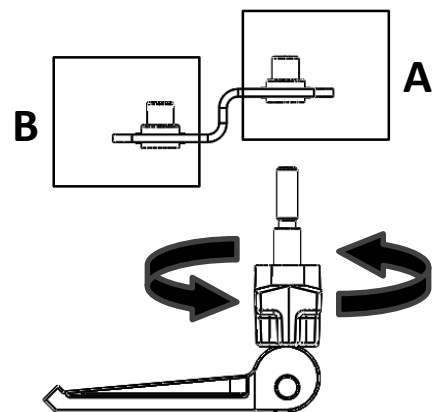
2 Lock the clamping handle



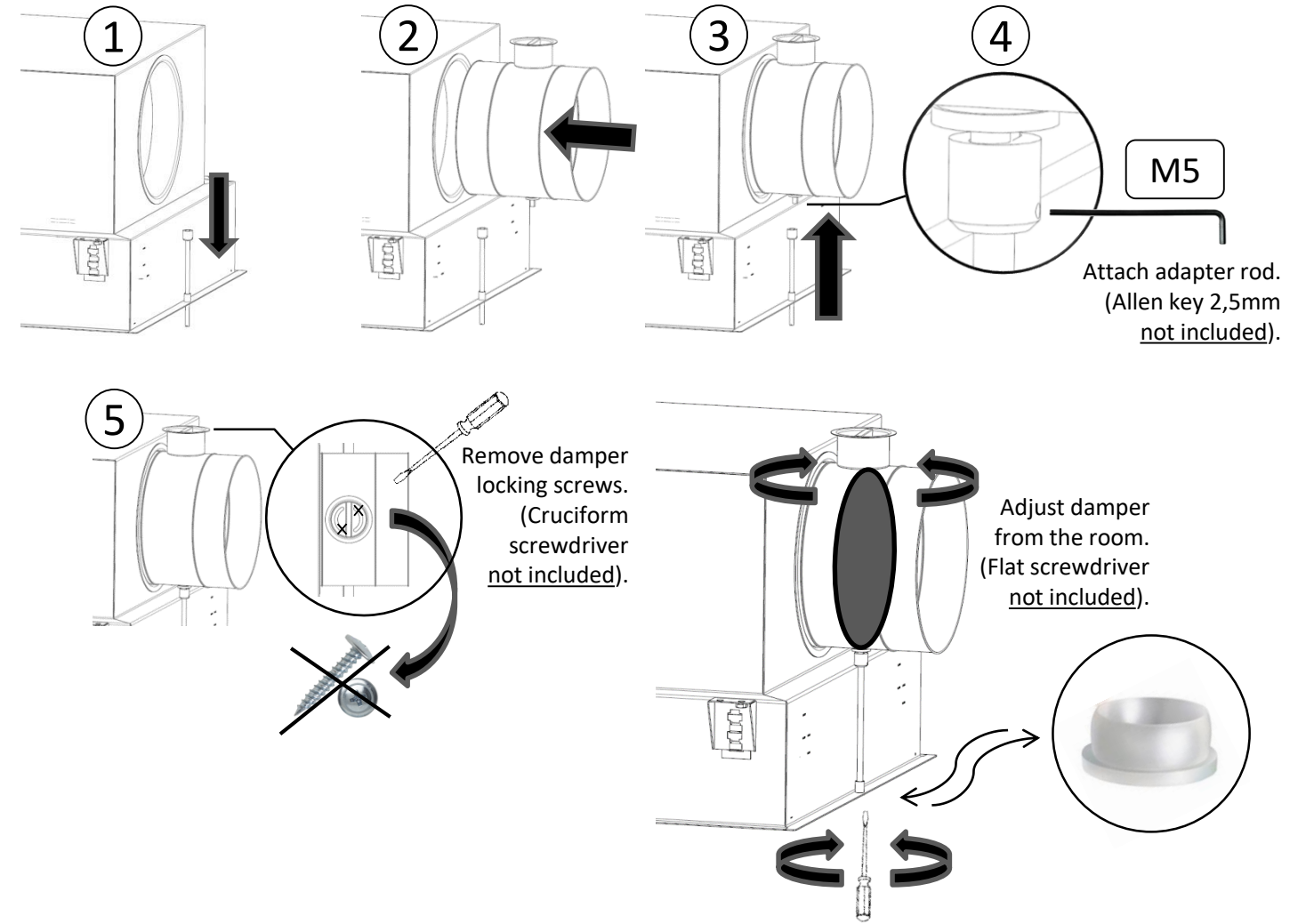
If necessary, clamping height can be adjusted by turning the opened handle : 360° = 0,8mm

Clamp Settings

Filter Height	Clamp Config.
MD	A
78	B



Damper Installation



Grid Opening

Use CleanSeal Quick Access Card (included) or any other plastic card

